

## SUBMITTAL DATA

GK-H05TC/NhA-D(U)  
60000 BTU/H Rooftop Heat Pump System

Job Name
Purchaser
Submitted to
Unit Designation

Location	Date
Engineer	
For	
Schedule No.	

### GENERAL FEATURES

- AHRI certificate : **215866831**
- High efficiency DC Inverter technology
- Non-polarity communication design
- Anti-corrosive and dustproof design
- Multi-protection design
- Multi parameter throttling control design
- Dead wind start-up design
- Emergency operation design
- Centralized control
- Remote control function (gateway accessory required)
- New R32 refrigerant



GK-H05TC/NhA-D(U)

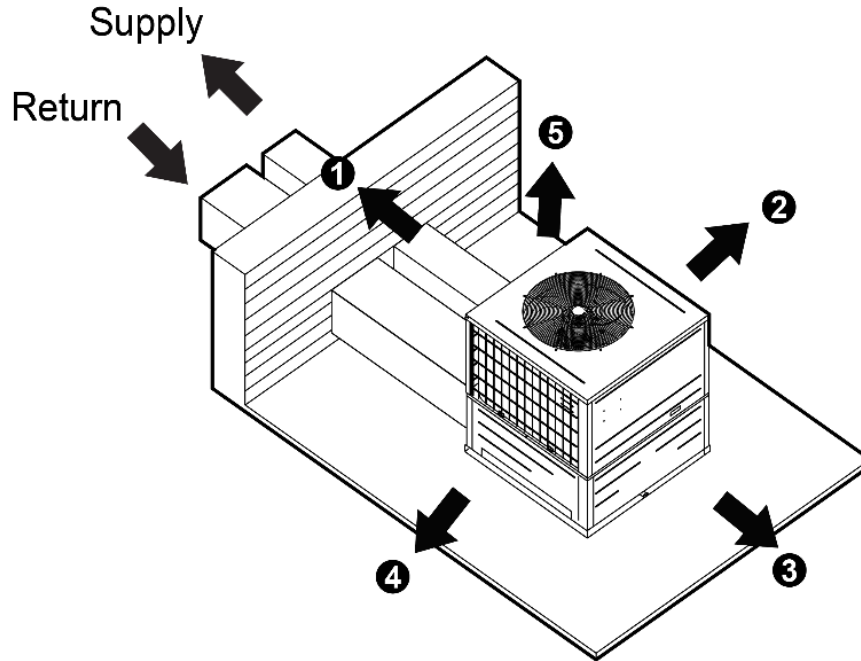


## SPECIFICATIONS

ROOFTOP R32		GK-H05TC/NhA-D(U)	
System Type	W	HEAT PUMP	
Power Supply	V / Phase / Hz	208-230 / 1 / 60	
SYSTEM PERFORMANCE			
Cooling	Capacity (Min – Max)	BTU/hr	14,000 – 58,800
	Rated Capacity @ 95 °F	BTU/hr	56,000
	Power Input	kW	5.0
Heating	Capacity (Min – Max)	BTU/hr	14,250 – 62,700
	Rated Capacity @ 47 °F	BTU/hr	57,000
	Rated Capacity @ 17 °F	BTU/hr	34,000
	Rated Capacity @ 5 °F	BTU/hr	51,000
	Power Input	kW	4.91
SEER 2 / EER 2	/	18.0 / 11.2	
HSPF 2 / COP @ 47 °F	/	8.3 / 3.40	
OUTDOOR UNIT			
Cooling Temperature Range	°F	23 – 125	
Heating Temperature Range	°F	-22 – 75.2	
Airflow Volume	CFM	1600 / 1200 / 1100	
External Static Pressure	Pa	125 (0 – 200)	
Sound Pressure Level	dB(A)	68	
Sound Power Level	dB(A)	78	
MCA	A	39.1	
MOCP	A	45	
Fuse Current	A	45	
Circuit Breaker	A	45	
Unit Dimension (W × H × D)	in	44 × 49-1/4 × 44	
Package Dimension (W × H × D)	in	44-5/8 × 50-13/16 × 44-5/8	
Weight (Net / Gross)	lb	628.3 / 650.0	
Refrigerant Charge	oz	204.6	

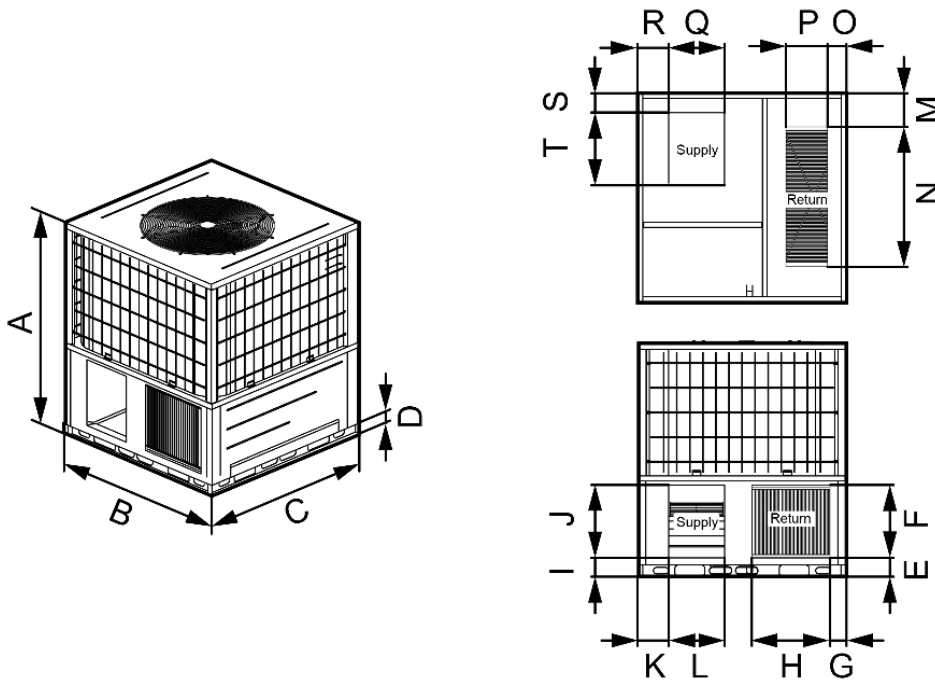
Specifications are subject to change without notice. Manufacturer reserves the right to discontinue or modify specifications or designs without notice or without incurring obligations. All Rights reserved.

## CLEARANCES



Installation Clearances		
Dimension (minimum)	mm	inch
A	600	24
B	1100	43
C	860	34
D	1100	43
E	1524	60

## DIMENSIONS



Dimension	A	B	C	D				
GK-H05TC/NhA-D(U)	49-1/4 (1250)	44 (1120)	44 (1120)	2-1/2 (65)				
	Side air vents							
	E	Size of air return		G	I	Size of air supply		K
		F	H			J	L	
	4 (101)	15-3/8 (390)	16-1/2 (420)	3-3/8 (87)	4 (101)	15-3/8 (390)	11-3/4 (300)	6-1/2 (166)
	Bottom air vents							
	M	Size of air return		O	R	Size of air supply		S
		N	P			Q	T	
	7-7/8 (199)	28 (711)	9 (228)	3-3/4 (96)	6-1/2 (166)	11-3/4 (300)	15-3/8 (390)	4 (103)